

THERMA-TRU[®] DOORS

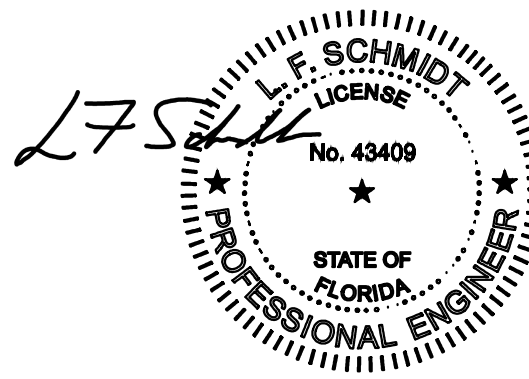
Fiber-Classic[®] & Smooth-Star[®]

COMPOSITE EDGE GLAZED FIBERGLASS SINGLE DOOR IN SWING/OUT SWING "IMPACT"

GENERAL NOTES

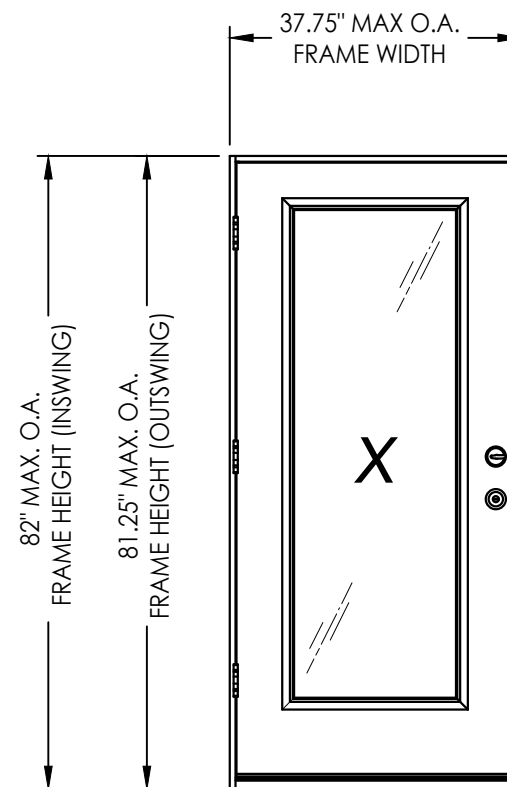
1. This product has been evaluated and is in compliance with the 8th Edition (2023) Florida Building Code (FBC) structural requirements excluding the "High Velocity Hurricane Zone" (HVHZ).
2. Product anchors shall be as listed and spaced as shown on details. Anchor embedment to base material shall be beyond wall dressing or stucco.
3. When used in areas requiring wind borne debris protection this product complies with FBC Sections 1609.1.2 & R301.2.1.2 and does not require an impact resistant covering. This product meets missile level "D" and includes Wind Zone 4 as defined in ASTM E1996 and FBC Sections 1609.1.2.2 & R301.2.1.2.1.
4. For 2x stud framing construction, anchoring of these units shall be the same as that shown for 2x buck masonry construction.
5. Site conditions that deviate from the details of this drawing require further engineering analysis by a licensed engineer or registered architect.
6. Fiber-Classic & Smooth-Star Door panels require the use of "J" part numbers and must be stained or painted within six months of installation.

| TABLE OF CONTENTS | |
|-------------------|--|
| SHEET# | DESCRIPTION |
| 1 | Typical Elevations, Design Pressures & General Notes |
| 2 | Door Panel Details |
| 3 | Elevations |
| 4 | Horizontal & Vertical Cross Sections (2X Buck) |
| 5 | Horizontal & Vertical Cross Sections (1X Buck) |
| 6 | Horizontal & Vertical Cross Sections (Direct to Masonry) |
| 7 | Vertical Cross Sections (Thresholds) |
| 8 | Buck & Frame Anchoring |
| 9 | Hardware Details |
| 10 | Glazing Details |
| 11 | Components |
| 12 | Components & Bill of Materials |



This item has been digitally signed and sealed by L. F. Schmidt, P.E. on the date adjacent to the seal. Printed copies of this document are not considered signed and sealed and the signature must be verified on any electronic copies.

THIS PRODUCT APPROVAL IS VALID ONLY FOR THE STATE OF FLORIDA



| CONFIGURATION | LOCK HARDWARE | DESIGN PRESSURE (PSF) IN SWING | | DESIGN PRESSURE (PSF) OUT SWING | |
|---------------|------------------|--------------------------------|----------|---------------------------------|----------|
| | | POSITIVE | NEGATIVE | POSITIVE | NEGATIVE |
| X | Latch & Deadbolt | +47.0 | -53.0 | +50.0 | -50.0 |
| X | Multipoint | +50.0 | -50.0 | +50.0 | -50.0 |

See Sheet 3 for Hardware Specifications

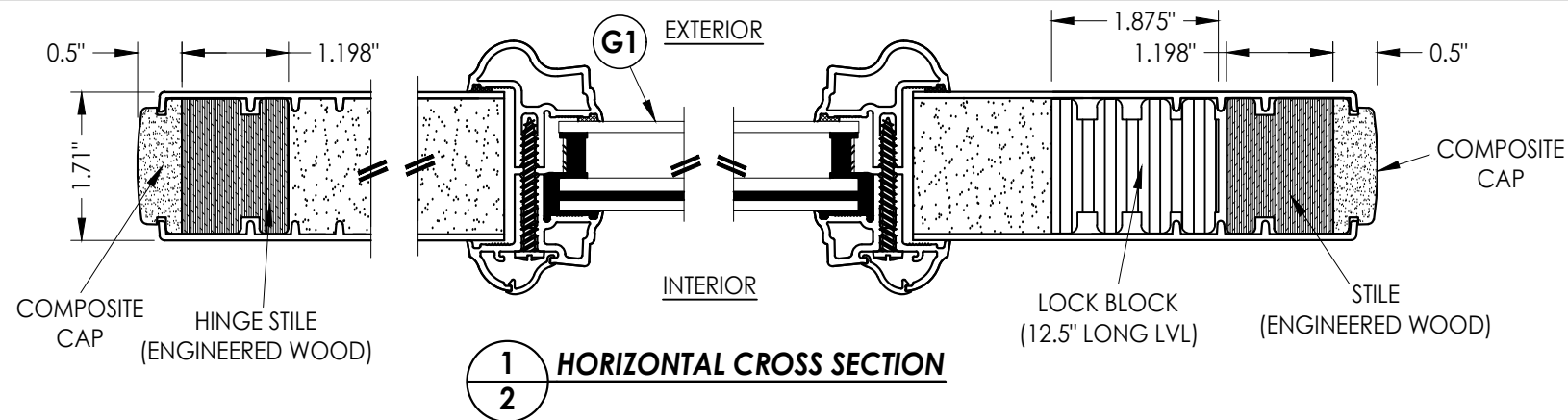
Documents Prepared By:
Lyndon F. Schmidt
P.E. No. 43409

RW BUILDING CONSULTANTS, INC.
P.O. Box 230, Vairico, FL 33595
Phone No.: 813.659.9197
FBPE Registry No. 9813

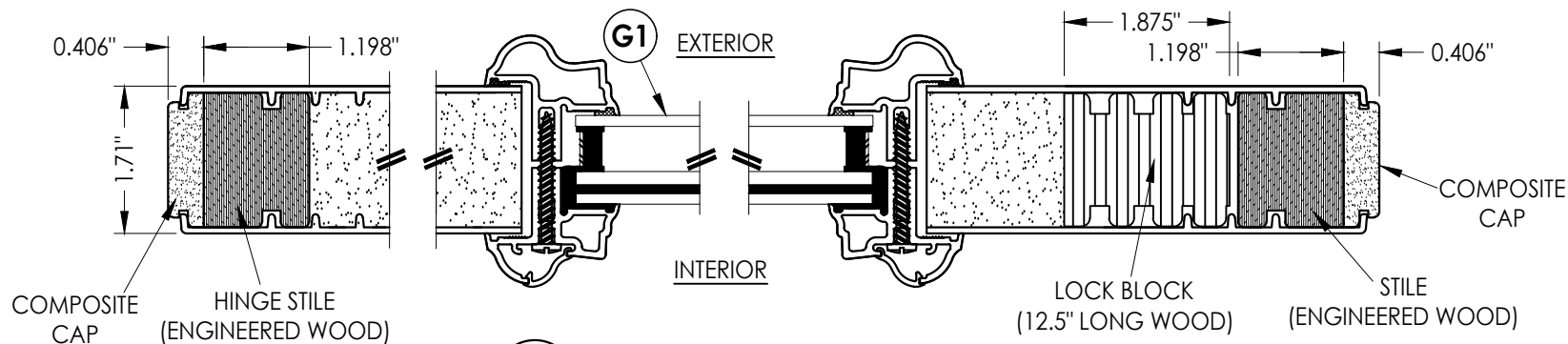
PRODUCT:
THERMA-TRU
FIBERGLASS DOOR
PART OR ASSEMBLY:
TYPICAL ELEVATION, DESIGN
PRESSURES & GENERAL NOTES

| NO. | DATE | REVISIONS |
|-----|----------|------------------------------|
| 5 | 7/20/23 | UPDATE TO 8TH ED. (2023) FBC |
| 4 | 7/14/20 | UPDATE TO 7th ED (2020) FBC |
| 3 | 10/08/18 | REV. DOOR PANEL OPTION NOTE |
| 2 | 11/15/17 | RECESSED PANEL NOTATION |
| 1 | 7/17/17 | UPDATE TO 6th ED (2017) FBC |

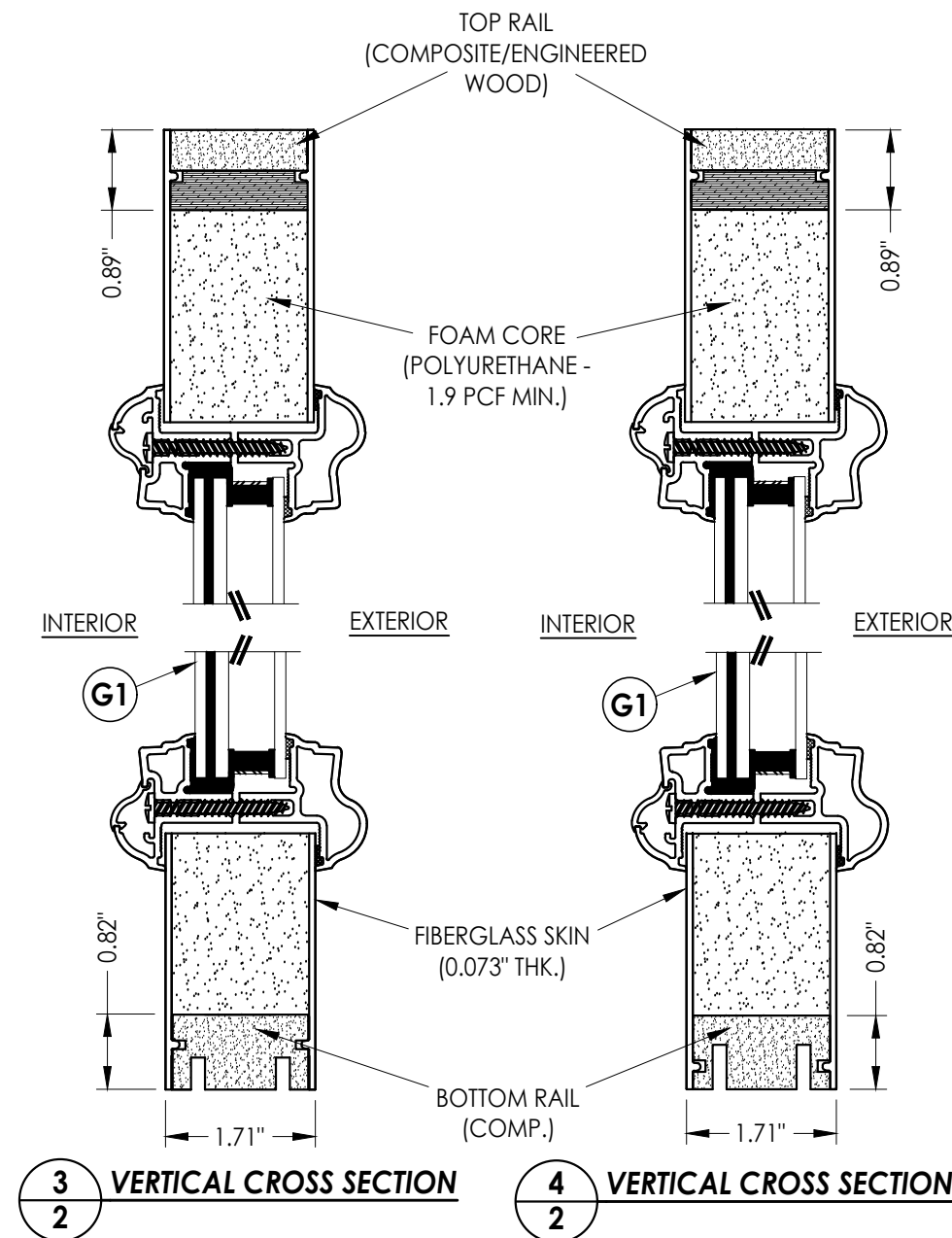
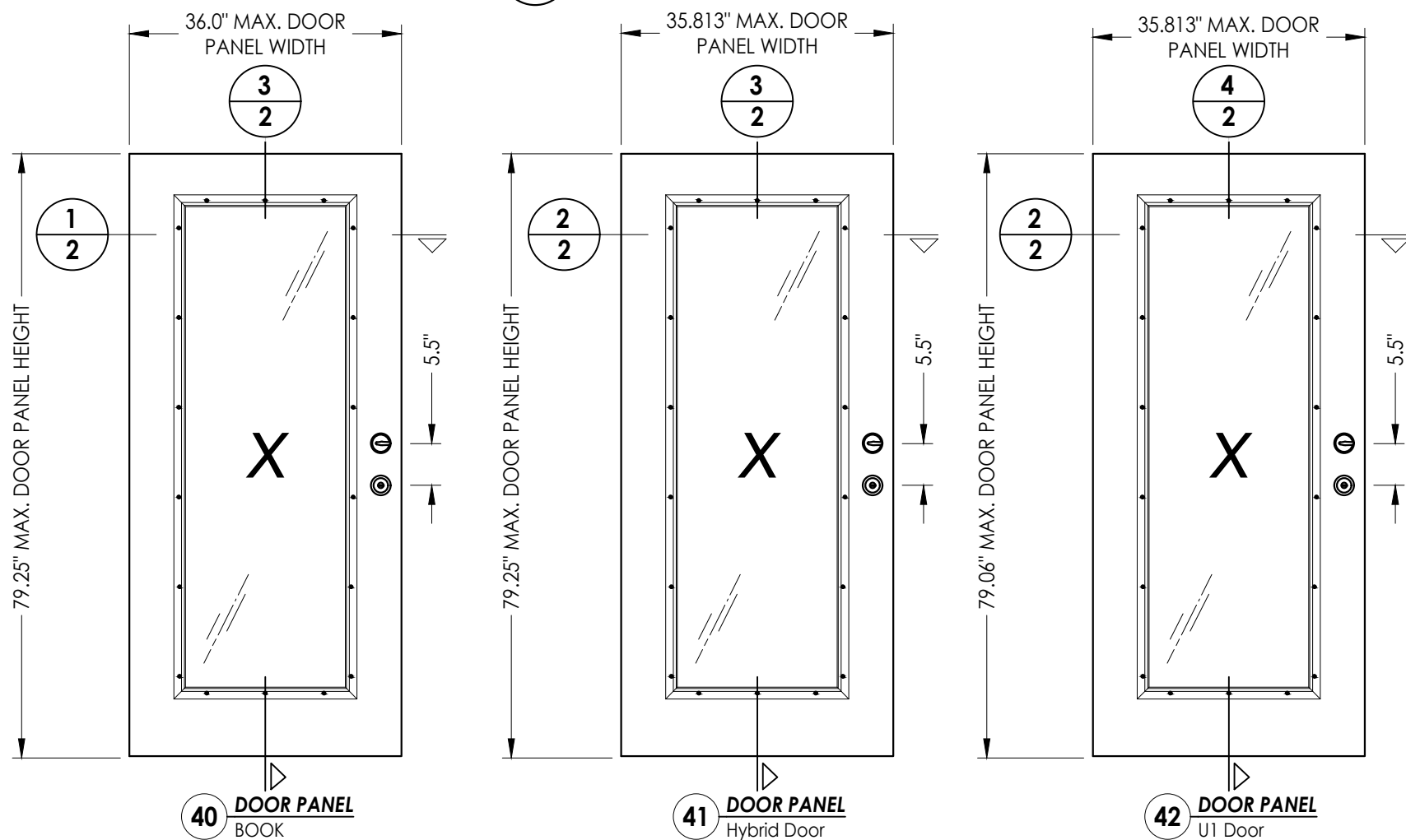
DATE: 08/02/16
SCALE: N.T.S.
DWG. BY: JK
CHK. BY: LFS
DRAWING NO.: FL-20468.7
SHEET 1 OF 12



1
2 HORIZONTAL CROSS SECTION



2
2 HORIZONTAL CROSS SECTION



3
2 VERTICAL CROSS SECTION

4
2 VERTICAL CROSS SECTION

Documents Prepared By:
Lyndon F. Schmidt
P.E. No. 43409

RW BUILDING CONSULTANTS, INC.
P.O. Box 230, Valrico, FL 33595
Phone No.: 813.659.9197
FBPE Registry No. 9813

PRODUCT:
THERMA-TRU
FIBERGLASS DOOR

PART OR ASSEMBLY:
DOOR PANEL DETAILS

| NO. | DATE | REVISIONS |
|-----|----------|----------------------------------|
| 5 | 7/20/23 | UPDATE TO 8TH ED. (2023) FBC LFS |
| 4 | 7/14/20 | UPDATE TO 7TH ED. (2020) FBC LFS |
| 3 | 10/08/18 | REV. DOOR PANEL OPTION NOTE MT |
| 2 | 11/15/17 | RECESSED PANEL NOTATION JK |
| 1 | 7/17/17 | UPDATE TO 6TH ED. (2017) FBC JK |
| | | BY |

DATE: 08/02/16

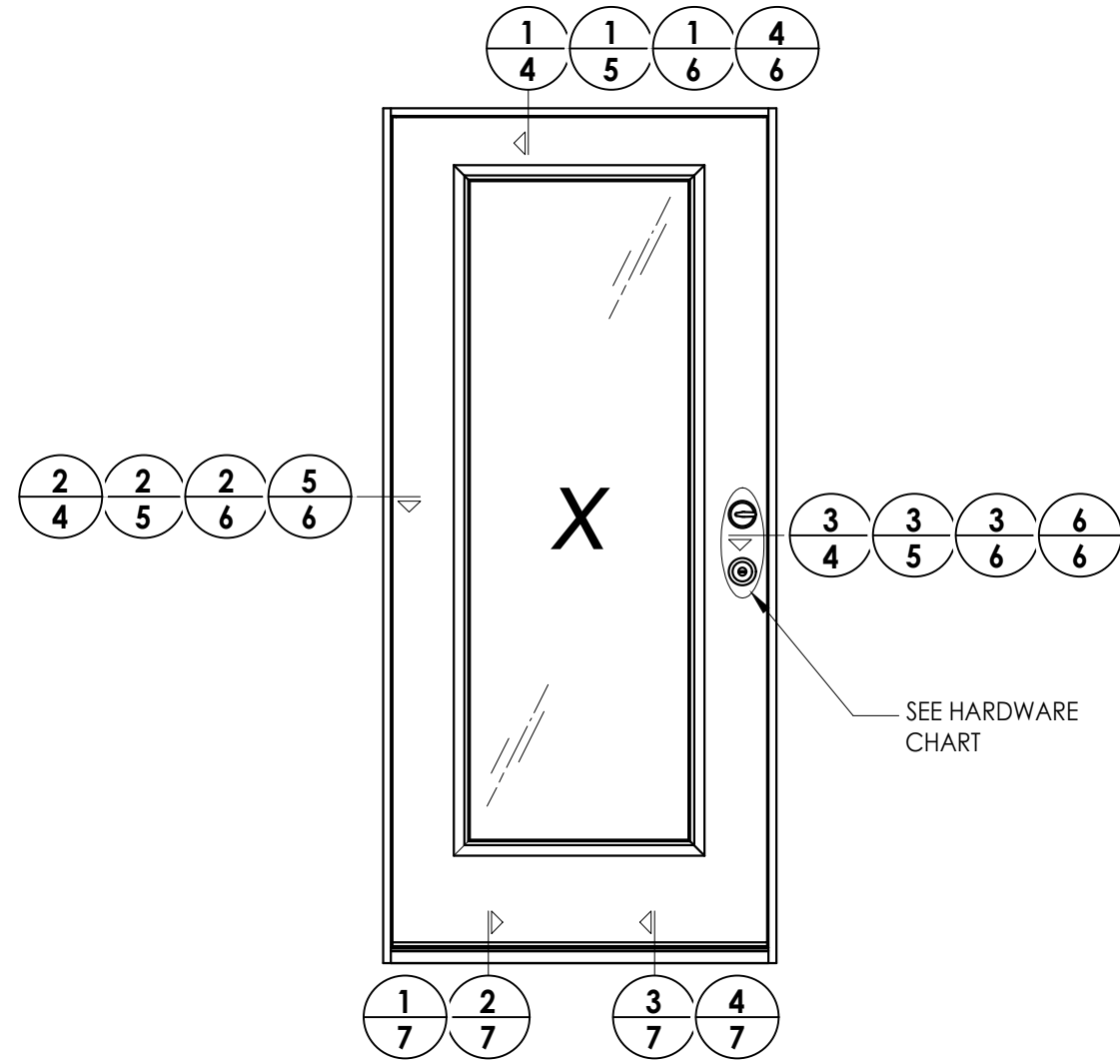
SCALE: N.T.S.

DWG. BY: JK

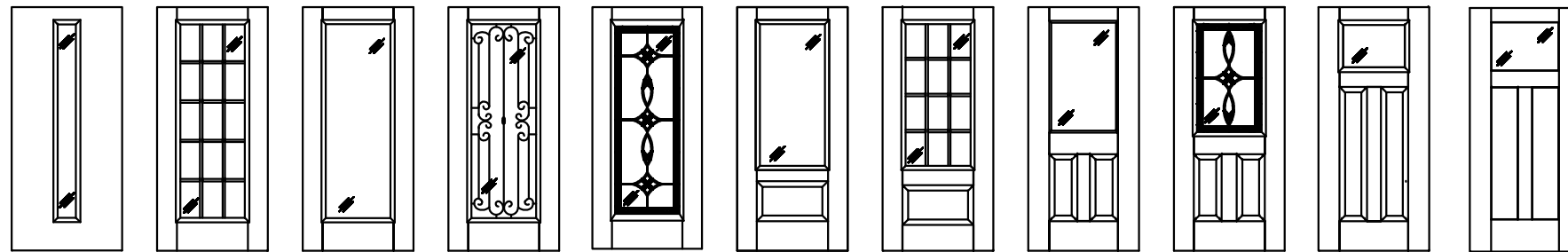
CHK. BY: LFS

DRAWING NO.:
FL-20468.7

SHEET 2 OF 12



| HARDWARE TABLE | |
|--------------------|--|
| MANUFACTURER | MODEL |
| SCHLAGE | KNOB: F51 DEADBOLT: B60 |
| KWIKSET | KNOB: SIGNATURE SERIES DEADBOLT: SIGNATURE SERIES (980) |
| HOPPE (THERMA-TRU) | MULTIPOINT : MPDGART (3 pt. Manual Tongue) |



Fiber-Classic/Smooth-Star Door Panel Options

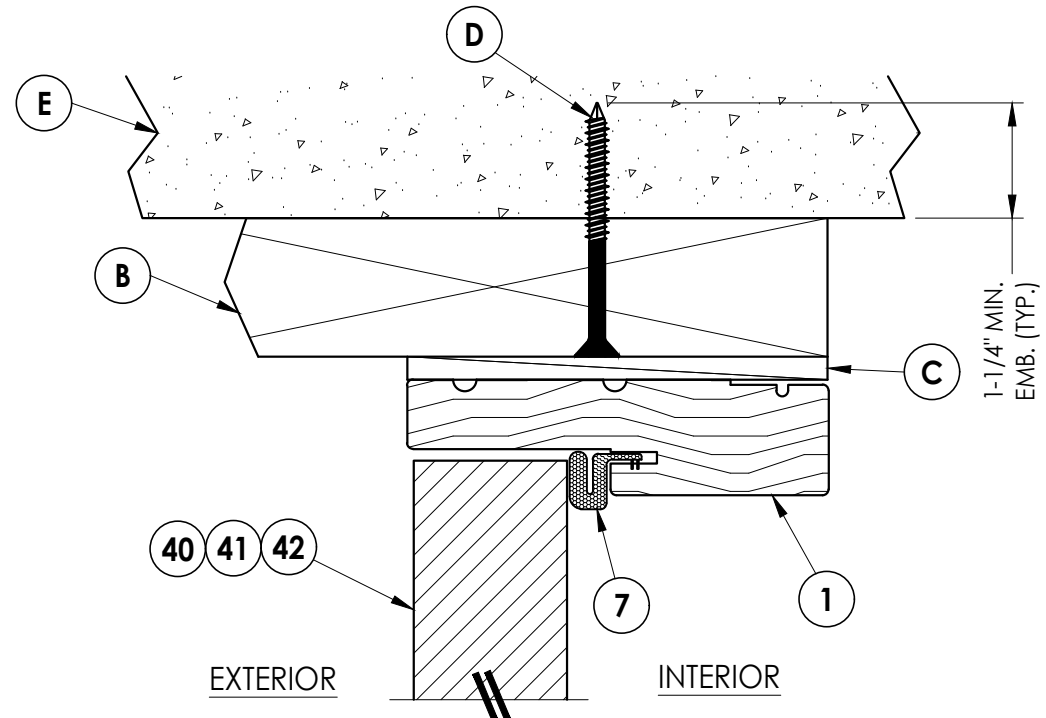
Products approved include all embossed and recessed panel doors.
 Similar glazed panel configurations are allowed.
 Panels shown are for illustration and are representative only.

| REVISIONS | |
|-----------|--|
| NO. | DATE |
| 5 | 7/20/23 UPDATE TO 8TH ED. (2023) FBC LFS |
| 4 | 7/14/20 UPDATE TO 7th ED. (2020) FBC LFS |
| 3 | 10/08/18 REV. DOOR PANEL OPTION NOTE MT |
| 2 | 11/15/17 RECESSED PANEL NOTATION JK |
| 1 | 7/17/17 UPDATE TO 6th ED. (2017) FBC JK |
| | BY |

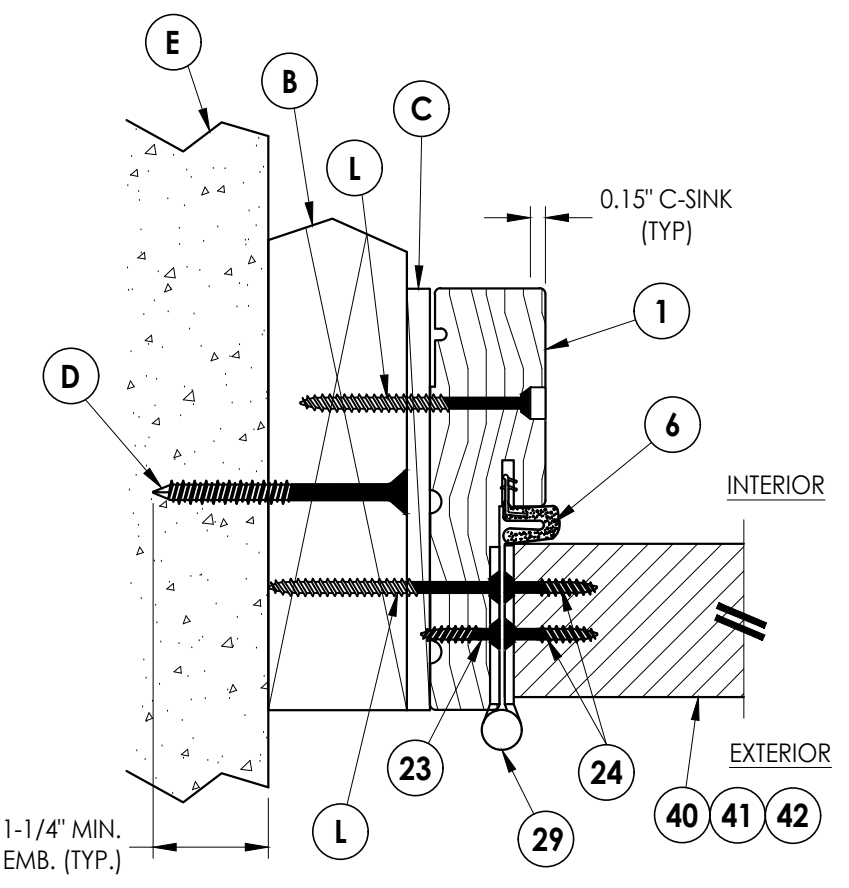
DATE: 08/02/16
 SCALE: N.T.S.
 DWG. BY: JK
 CHK. BY: LFS
 DRAWING NO.: FL-20468.7
 SHEET 3 OF 12

PRODUCT: THERMA-TRU FIBERGLASS DOOR
 PART OR ASSEMBLY: ELEVATIONS

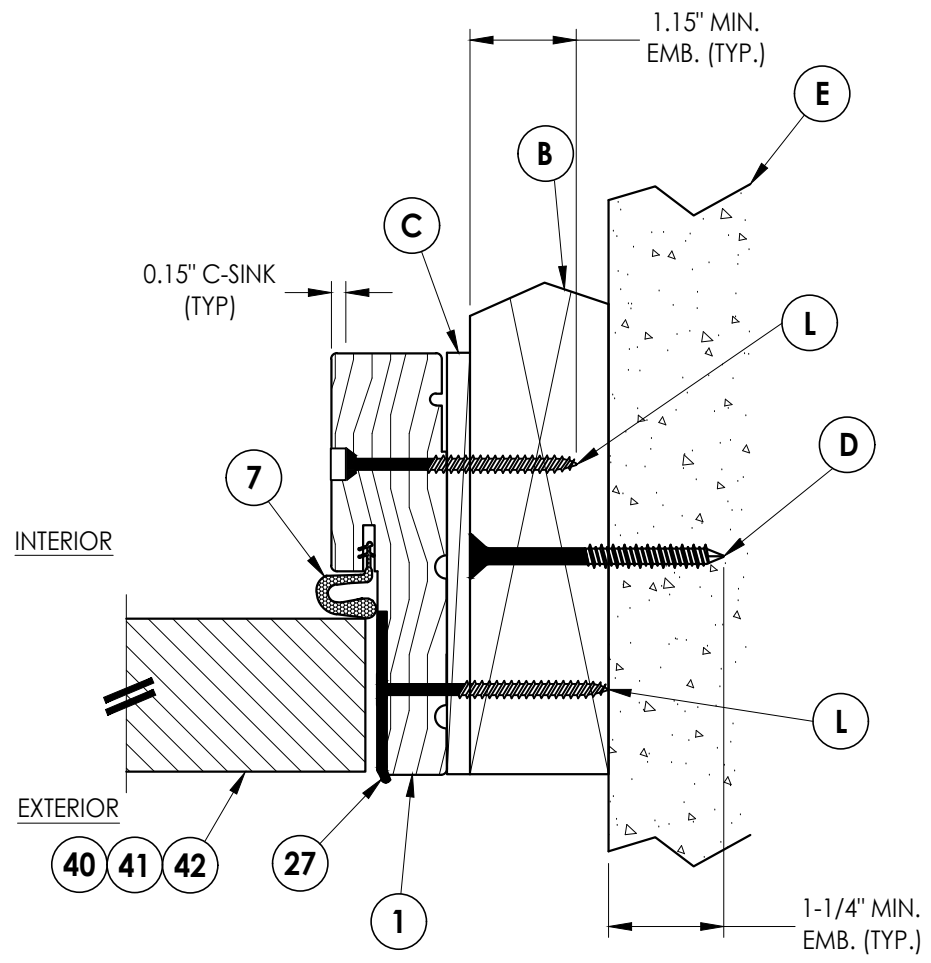
Documents Prepared By:
 Lyndon F. Schmidt
 P.E. No. 43409
 R.W. BUILDING CONSULTANTS, INC.
 P.O. Box 230, Valrico, FL 33595
 Phone No.: 813.659.9197
 FBPE Registry No. 9813



1 VERTICAL CROSS SECTION
 4 Shown w/ 2X Buck
 Outswing shown (Inswing similar)



2 HORIZONTAL CROSS SECTION
 4 Shown w/ 2X Buck
 Outswing shown (Inswing similar)



3 HORIZONTAL CROSS SECTION
 4 Shown w/ 2X Buck
 Outswing shown (Inswing similar)

Documents Prepared By:
 Lyndon F. Schmidt
 P.E. No. 43409

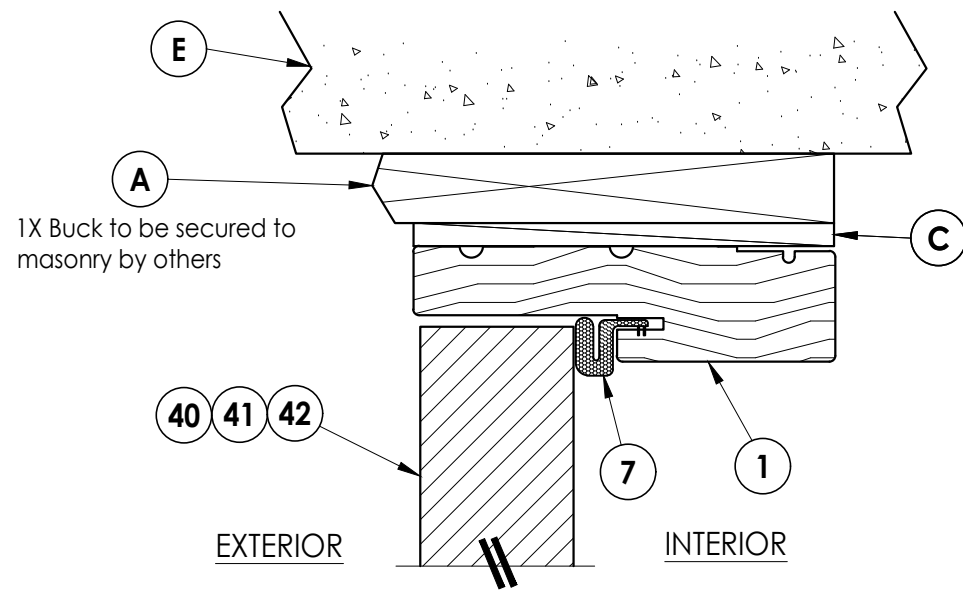
RW BUILDING CONSULTANTS, INC.
 P.O. Box 230, Valrico, FL 33595
 Phone No.: 813.659.9197
 FBPE Registry No. 9813

PRODUCT:
 THERMA-TRU
 FIBERGLASS DOOR

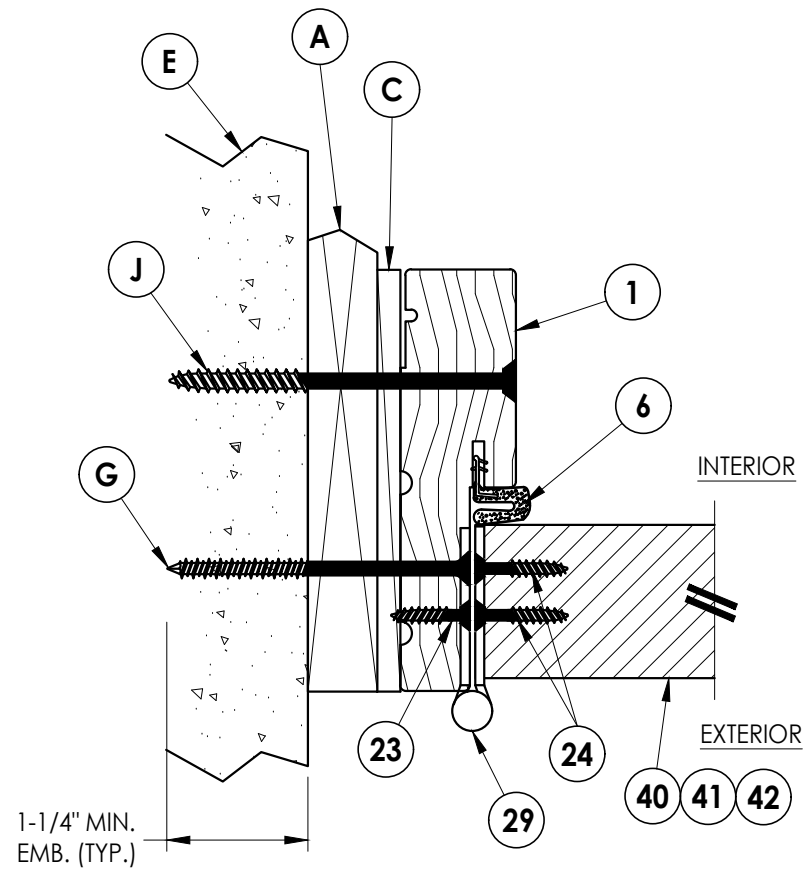
PART OR ASSEMBLY:
 HORIZONTAL & VERTICAL
 CROSS SECTIONS (2X BUCK)

| NO. | DATE | REVISIONS | BY |
|-----|----------|------------------------------|-----|
| 5 | 7/20/23 | UPDATE TO 8TH ED. (2023) FBC | LFS |
| 4 | 7/14/20 | UPDATE TO 7th ED (2020) FBC | LFS |
| 3 | 10/08/18 | REV. DOOR PANEL OPTION NOTE | MT |
| 2 | 11/15/17 | RECESSED PANEL NOTATION | JK |
| 1 | 7/17/17 | UPDATE TO 6th ED (2017) FBC | JK |

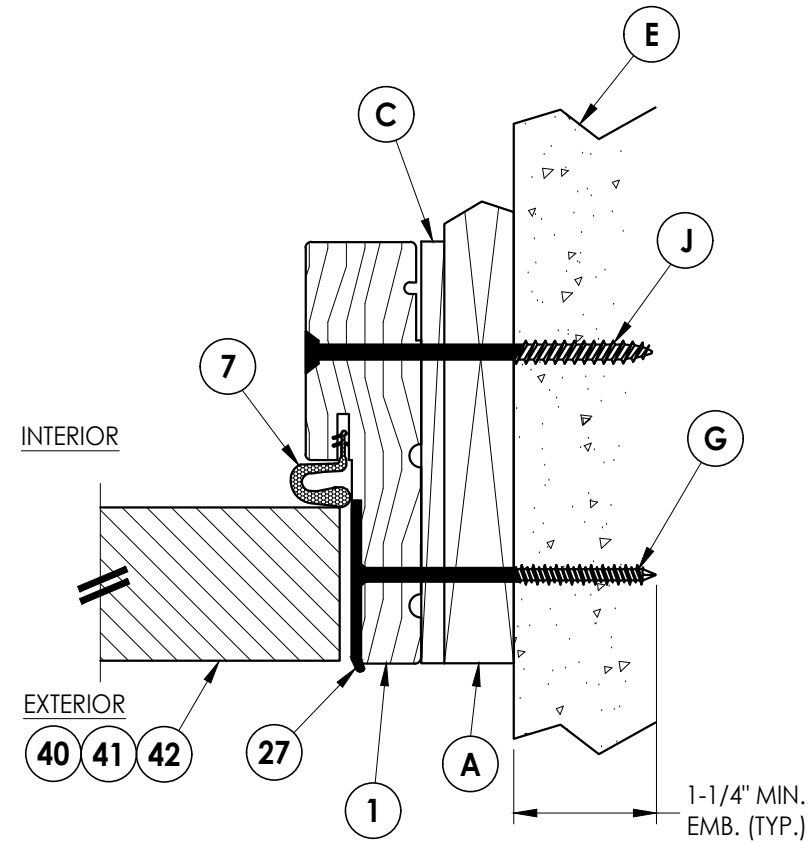
DATE: 08/02/16
 SCALE: N.T.S.
 DWG. BY: JK
 CHK. BY: LFS
 DRAWING NO.: FL-20468.7
 SHEET 4 OF 12



1 VERTICAL CROSS SECTION
5 Shown w/ 1X sub-buck
 Outswing shown (Inswing similar)



2 HORIZONTAL CROSS SECTION
5 Shown w/ 1X sub-buck
 Outswing shown (Inswing similar)



3 HORIZONTAL CROSS SECTION
5 Shown w/ 1X sub-buck
 Outswing shown (Inswing similar)

Documents Prepared By:
 Lyndon F. Schmidt
 P.E. No. 43409

RW BUILDING CONSULTANTS, INC.
 P.O. Box 230, Valrico, FL 33595
 Phone No.: 813.659.9197
 FBPE Registry No. 9813

PRODUCT:
 THERMA-TRU
 FIBERGLASS DOOR

PART OR ASSEMBLY:
 HORIZONTAL & VERTICAL
 CROSS SECTIONS (1X BUCK)

| NO. | DATE | REVISIONS |
|-----|----------|----------------------------------|
| 5 | 7/20/23 | UPDATE TO 8TH ED. (2023) FBC LFS |
| 4 | 7/14/20 | UPDATE TO 7th ED (2020) FBC LFS |
| 3 | 10/08/18 | REV. DOOR PANEL OPTION NOTE MT |
| 2 | 11/15/17 | RECESSED PANEL NOTATION JK |
| 1 | 7/17/17 | UPDATE TO 6th ED (2017) FBC JK |
| | | BY |

DATE: 08/02/16

SCALE: N.T.S.

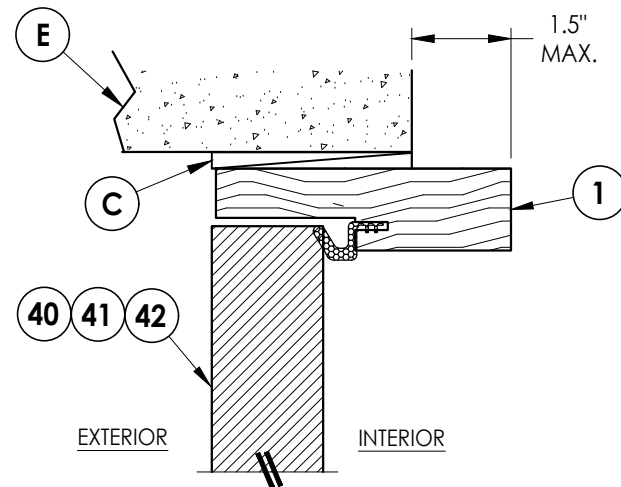
DWG. BY: JK

CHK. BY: LFS

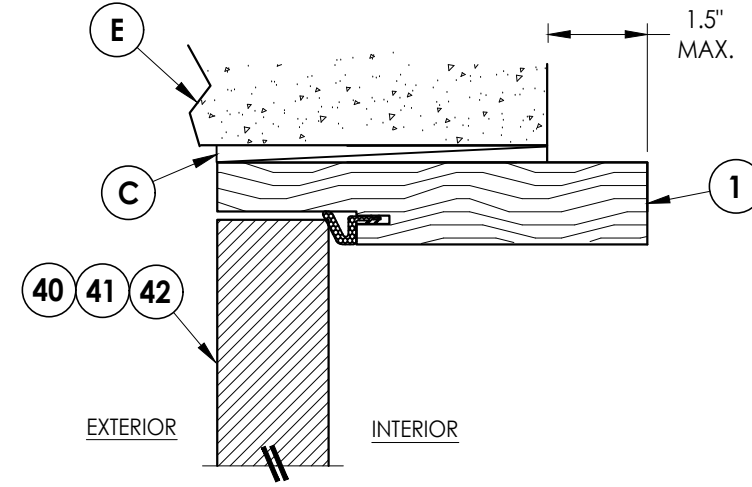
DRAWING NO.:

FL-20468.7

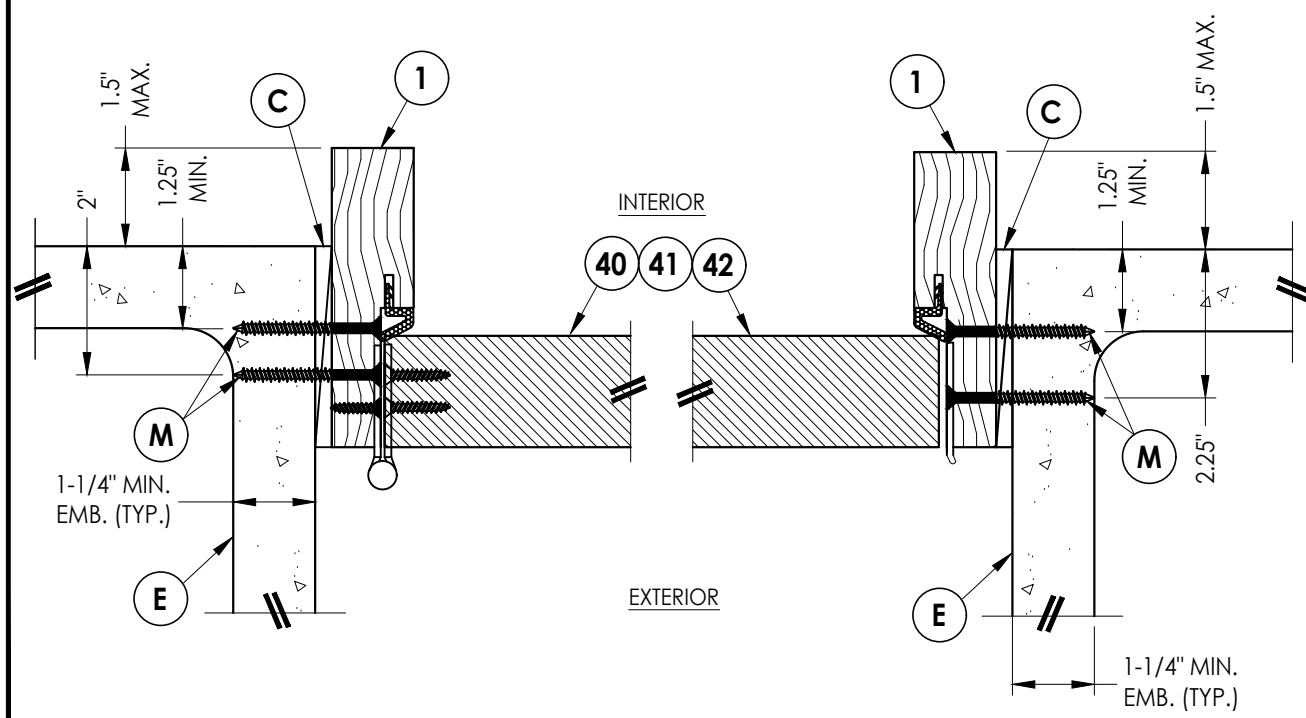
SHEET 5 OF 12



1 **VERTICAL CROSS SECTION**
6 Shown Direct to Masonry
 Outswing only w/ 4-9/16" jamb

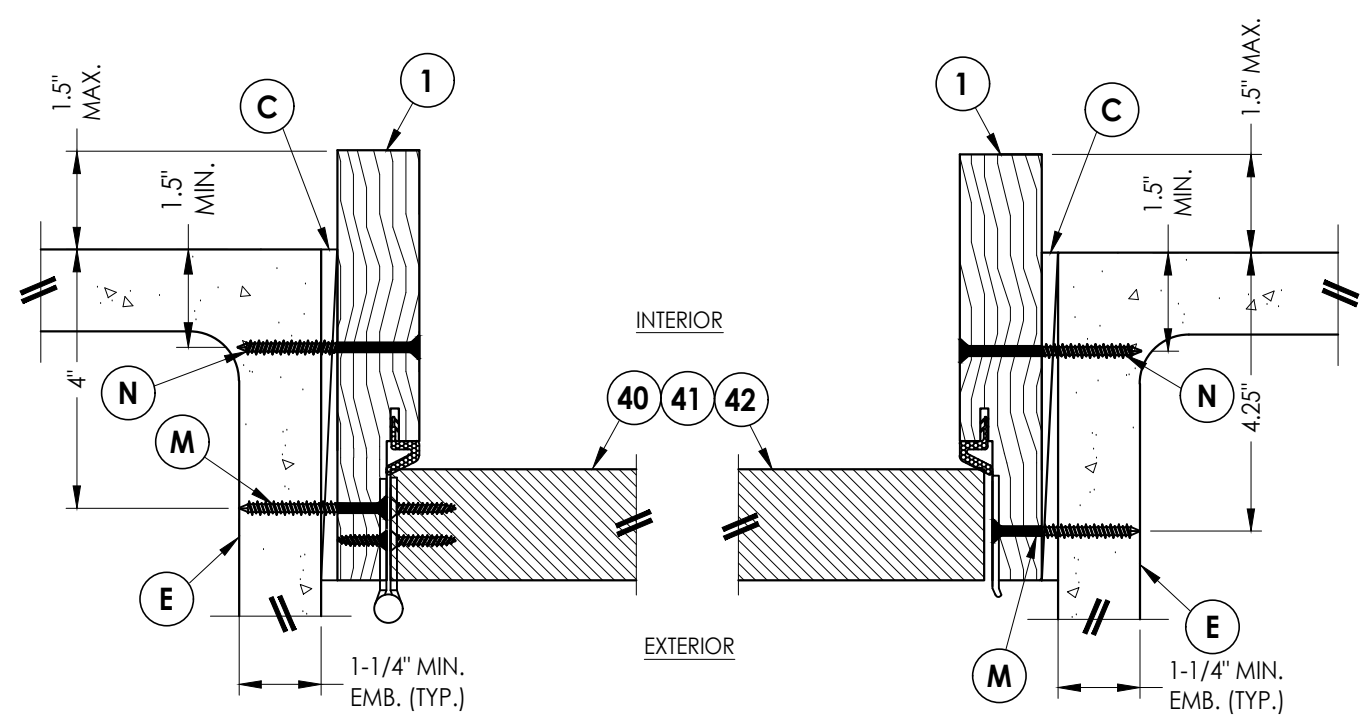


4 **VERTICAL CROSS SECTION**
6 Shown Direct to Masonry
 Outswing only w/ 6-9/16" jamb



2 **HORIZONTAL CROSS SECTION**
6 Shown Direct to Masonry
 Outswing only w/ 4-9/16" jamb

3 **HORIZONTAL CROSS SECTION**
6 Shown Direct to Masonry
 Outswing only w/ 4-9/16" jamb



5 **HORIZONTAL CROSS SECTION**
6 Shown Direct to Masonry
 Outswing only w/ 6-9/16" jamb

6 **HORIZONTAL CROSS SECTION**
6 Shown Direct to Masonry
 Outswing only w/ 6-9/16" jamb

Documents Prepared By:
 Lyndon F. Schmidt
 P.E. No. 43409

RW BUILDING CONSULTANTS, INC.
 P.O. Box 230, Vairico, FL 33595
 Phone No.: 813.659.9197
 Registration No. P-198116 43409

PRODUCT:
 THERMA-TRU
 FIBERGLASS DOOR

PART OR ASSEMBLY:
 HORIZONTAL & VERTICAL
 SECTIONS (DIRECT TO MASONRY)

| NO. | DATE | BY | REVISIONS |
|-----|----------|-----|------------------------------|
| 5 | 7/20/23 | LFS | UPDATE TO 8TH ED. (2023) FBC |
| 4 | 7/14/20 | LFS | UPDATE TO 7th ED (2020) FBC |
| 3 | 10/08/18 | MT | REV. DOOR PANEL OPTION NOTE |
| 2 | 11/15/17 | JK | RECESSED PANEL NOTATION |
| 1 | 7/17/17 | JK | UPDATE TO 6th ED (2017) FBC |

DATE: 08/02/16

SCALE: N.T.S.

DWG. BY: JK

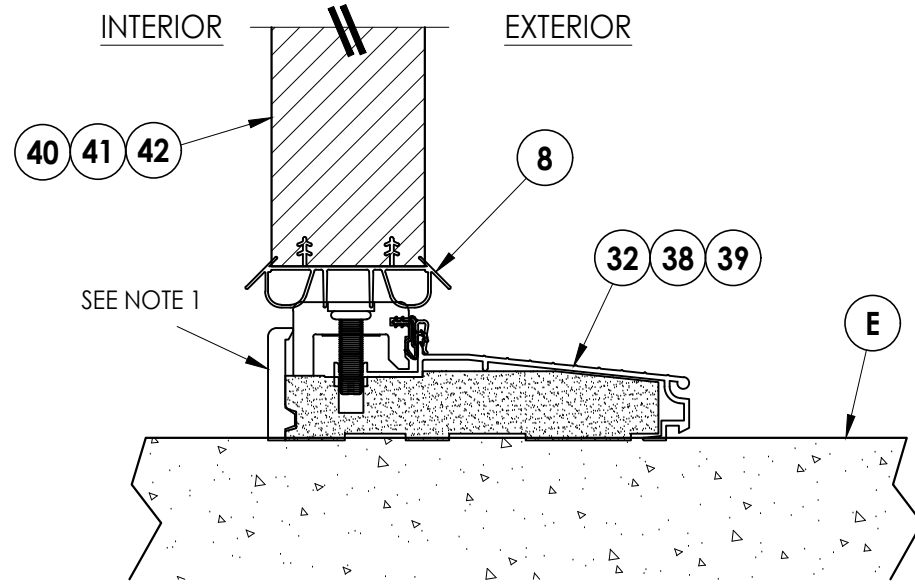
CHK. BY: LFS

DRAWING NO.: FL-20468.7

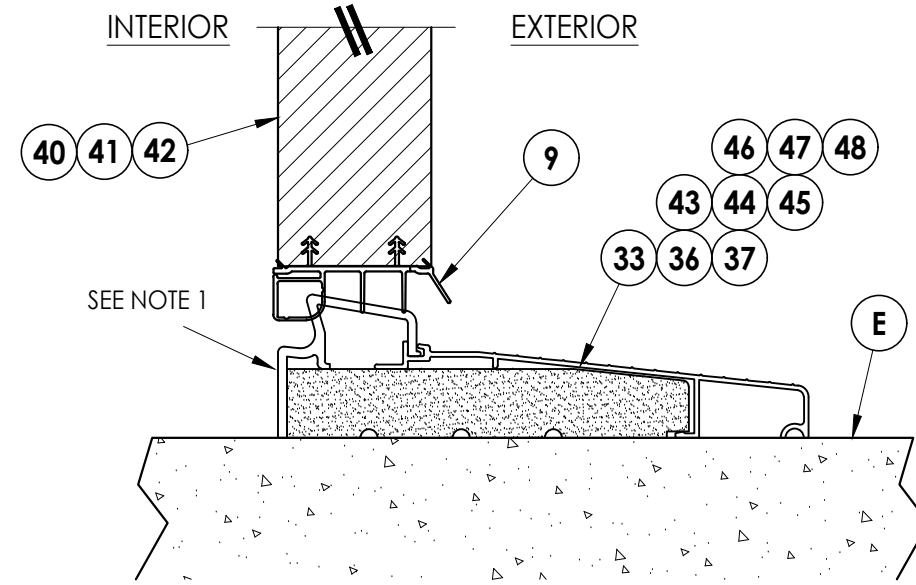
SHEET 6 OF 12

Notes:

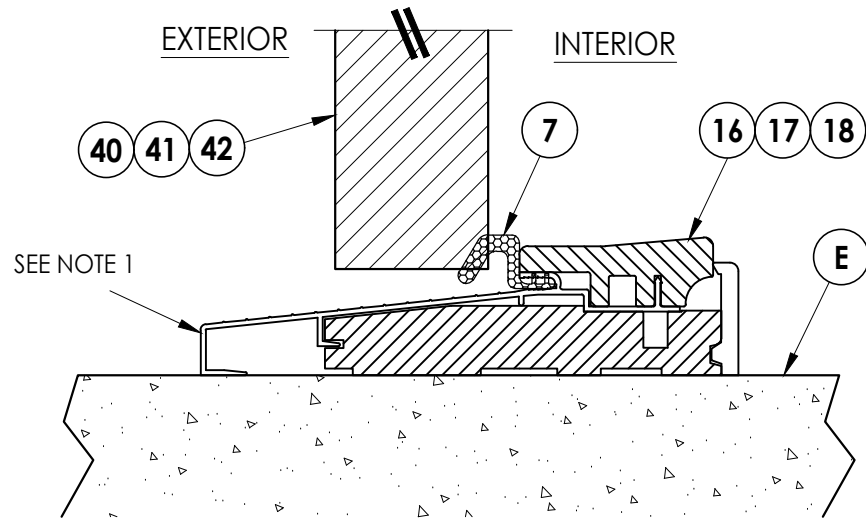
- Sill Item #'s 16, 32, 33, 36, 37, 38, 39, 43, 44, 45, 46, 47 & 48 are attached to jambs w/ (3) #8 X 2-1/2" pfh screws or (3) 2.5" staples at each end.
- Sill Item #'s 17 & 18 are attached to jambs w/ (2) #8 X 2-1/2" pfh screws at each end.
- Sill Item #15 is attached to jambs utilizing (2) #10 X 2" pph SMS screws at each end.



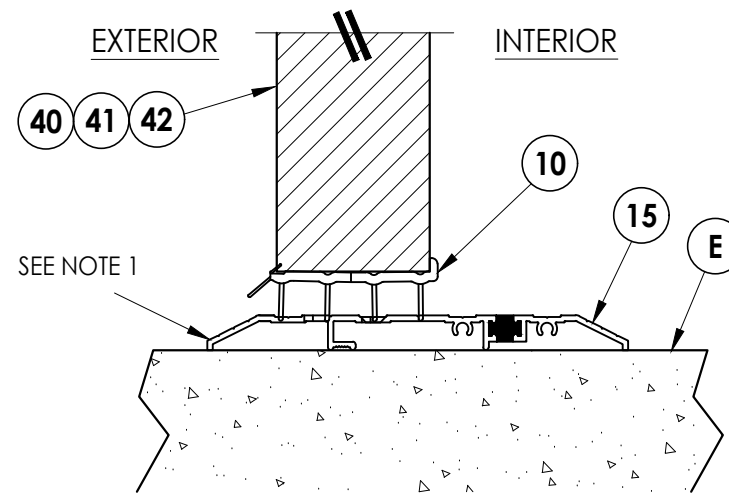
1 VERTICAL CROSS SECTION
7 Inswing Sill



2 VERTICAL CROSS SECTION
7 Inswing Sill



3 VERTICAL CROSS SECTION
7 Outswing Sill



4 VERTICAL CROSS SECTION
7 Public Access Sill

Documents Prepared By:
Lyndon F. Schmidt
P.E. No. 43409

RW BUILDING CONSULTANTS, INC.
P.O. Box 230, Valrico, FL 33595
Phone No.: 813.659.9197
FBPE Registry No. 9813

PRODUCT:
THERMA-TRU
FIBERGLASS DOOR

PART OR ASSEMBLY:
VERTICAL CROSS
SECTIONS (THRESHOLDS)

| NO. | DATE | REVISIONS |
|-----|----------|----------------------------------|
| 5 | 7/20/23 | UPDATE TO 8TH ED. (2023) FBC LFS |
| 4 | 7/14/20 | UPDATE TO 7th ED (2020) FBC LFS |
| 3 | 10/08/18 | REV. DOOR PANEL OPTION NOTE MT |
| 2 | 11/15/17 | RECESSED PANEL NOTATION JK |
| 1 | 7/17/17 | UPDATE TO 6th ED (2017) FBC JK |

DATE: 08/02/16

SCALE: N.T.S.

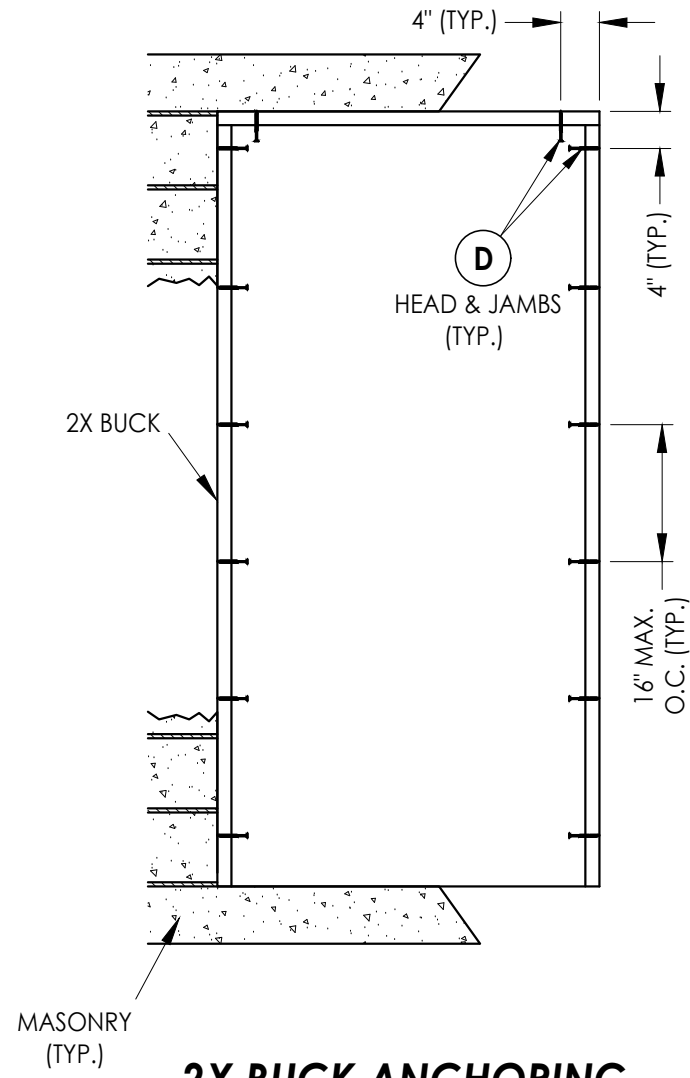
DWG. BY: JK

CHK. BY: LFS

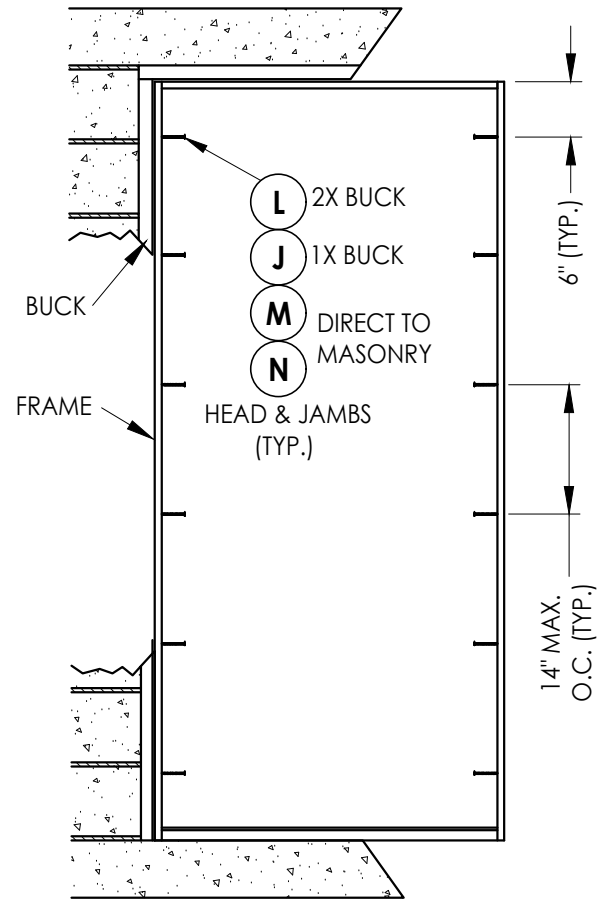
DRAWING NO.:

FL-20468.7

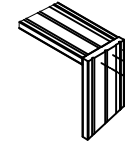
SHEET 7 OF 12



2X BUCK ANCHORING



FRAME ANCHORING



JAMB TO HEAD DETAIL (TYP.)

(3) #8 x 2-1/2"
PFH WS

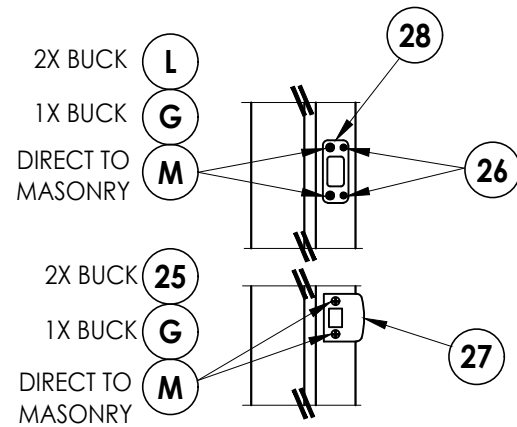
| NO. | DATE | REVISIONS |
|-----|----------|----------------------------------|
| 5 | 7/20/23 | UPDATE TO 8TH ED. (2023) FBC LFS |
| 4 | 7/14/20 | UPDATE TO 7th ED (2020) FBC LFS |
| 3 | 10/08/18 | REV. DOOR PANEL OPTION NOTE MT |
| 2 | 11/15/17 | RECESSED PANEL NOTATION JK |
| 1 | 7/17/17 | UPDATE TO 6th ED (2017) FBC JK |
| | | BY |

DATE: 08/02/16
 SCALE: N.T.S.
 DWG. BY: JK
 CHK. BY: LFS
 DRAWING NO.: FL-20468.7
 SHEET 8 OF 12

PRODUCT: THERMA-TRU FIBERGLASS DOOR
 PART OR ASSEMBLY: BUCK & FRAME ANCHORING

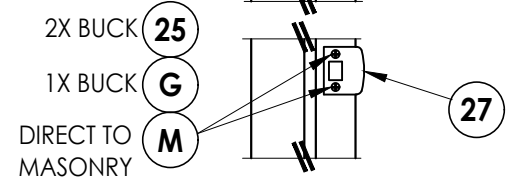
Documents Prepared By:
 Lyndon F. Schmidt
 P.E. No. 43409

RW BUILDING CONSULTANTS, INC.
 P.O. Box 230, Vairico, FL 33595
 Phone No.: 813.659.9197
 FBPE Registry No. 9813



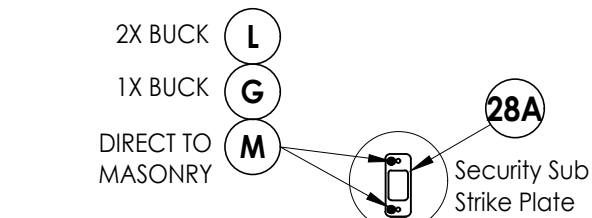
LATCH & DEADBOLT DETAIL

Kwikset

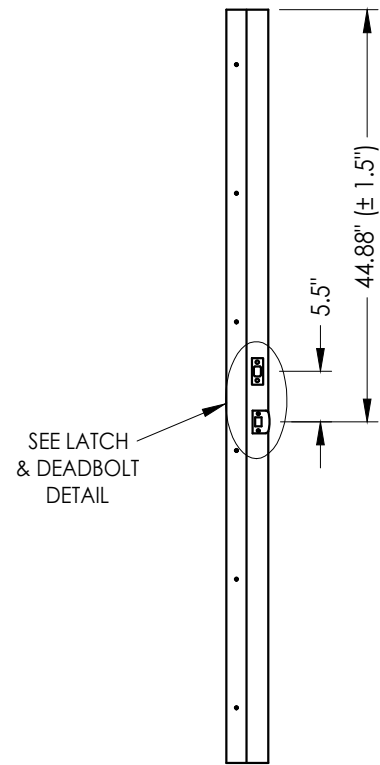


LATCH & DEADBOLT DETAIL

Schlage

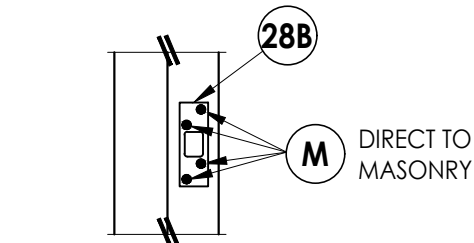


LATCH & DEADBOLT STRIKE DETAILS

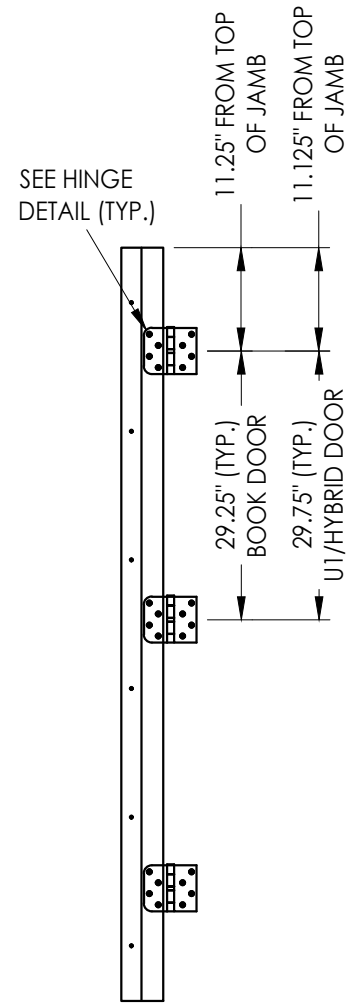


STRIKE JAMB

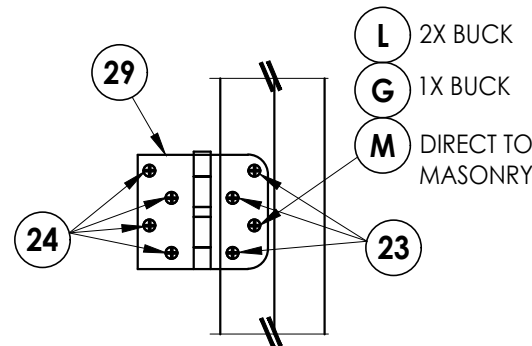
Latch and Deadbolt



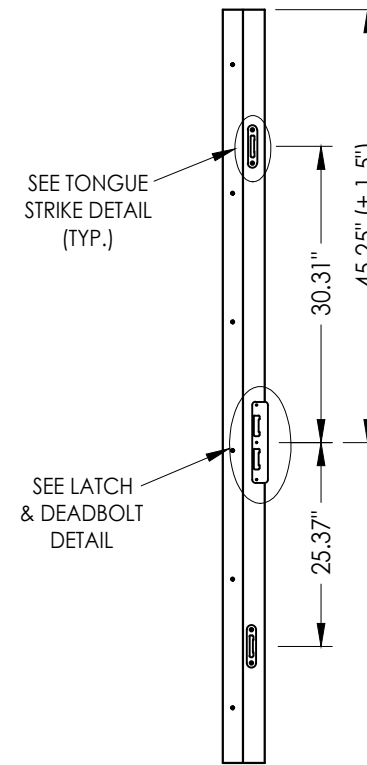
DEADBOLT STRIKE DETAILS
(Security Deadbolt Strike Plate)



HINGE JAMB

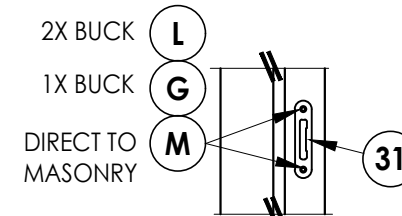


HINGE DETAIL



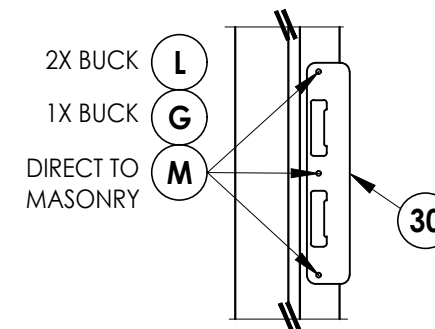
STRIKE JAMB

Multipoint Lock



TONGUE STRIKE DETAIL

Multipoint Lock



LATCH & DEADBOLT DETAIL

Multipoint Lock

MULTIPOINT LOCK STRIKE DETAILS

Documents Prepared By:
Lyndon F. Schmidt
P.E. No. 43409

PRODUCT:
THERMA-TRU
FIBERGLASS DOOR

PART OR ASSEMBLY:
HARDWARE DETAILS

| NO. | DATE | REVISIONS |
|-----|----------|----------------------------------|
| 5 | 7/20/23 | UPDATE TO 8TH ED. (2023) FBC LFS |
| 4 | 7/14/20 | UPDATE TO 7th ED (2020) FBC LFS |
| 3 | 10/08/18 | REV. DOOR PANEL OPTION NOTE MT |
| 2 | 11/15/17 | RECESSED PANEL NOTATION JK |
| 1 | 7/17/17 | UPDATE TO 6th ED (2017) FBC JK |

DATE: 08/02/16

SCALE: N.T.S.

DWG. BY: JK

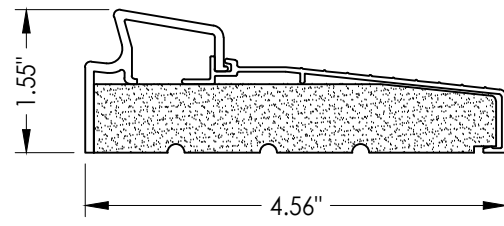
CHK. BY: LFS

DRAWING NO.:

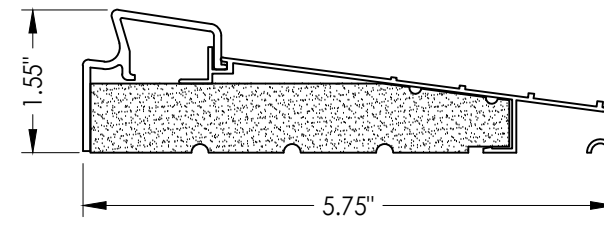
FL-20468.7

SHEET 9 OF 12

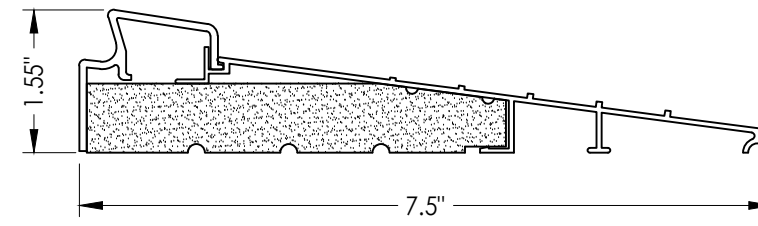
RW BUILDING CONSULTANTS, INC.
P.O. Box 230, Valrico, FL 33595
Phone No.: 813.659.9197
FBPE Registry No. 9813



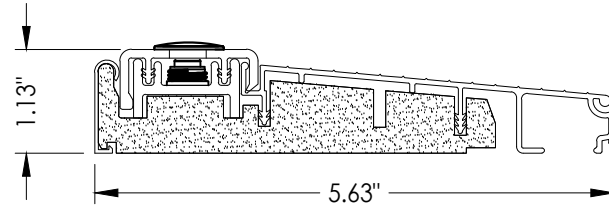
33 INSWING THRESHOLD
Inswing Basic Fixed Sill



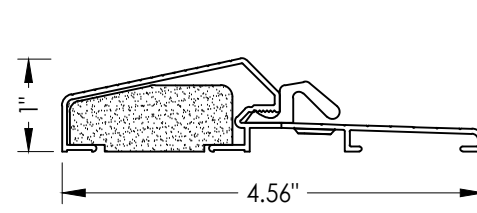
36 INSWING THRESHOLD
Inswing Basic Fixed 5-3/4" Sill



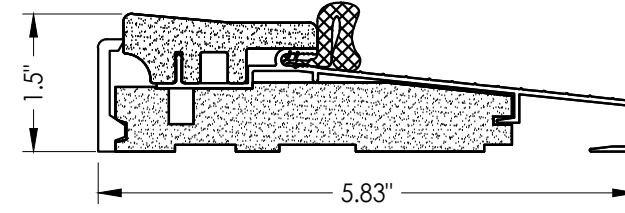
37 INSWING THRESHOLD
Inswing Basic Fixed 7-1/2" Sill



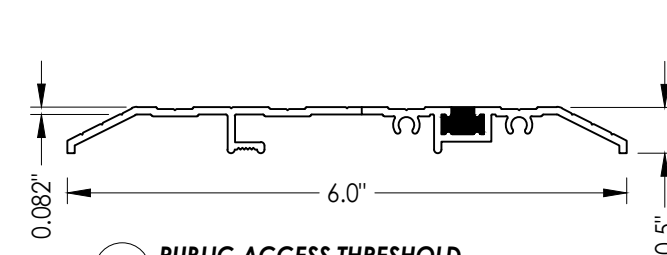
39 INSWING THRESHOLD
Inswing Composite Adjustable Sill



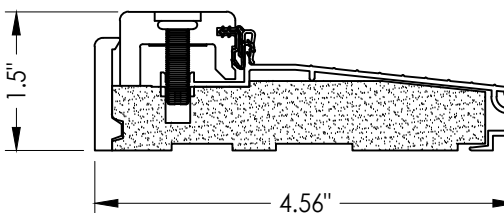
17 OUTSWING THRESHOLD
Composite / Aluminum Sill



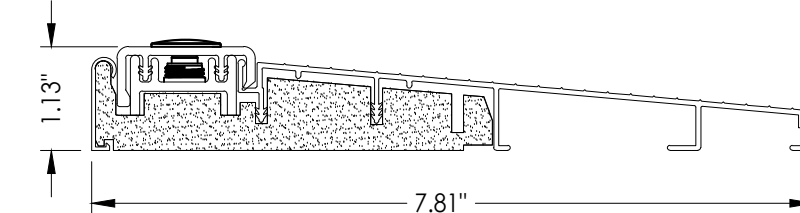
16 OUTSWING THRESHOLD
Composite / Aluminum Sill



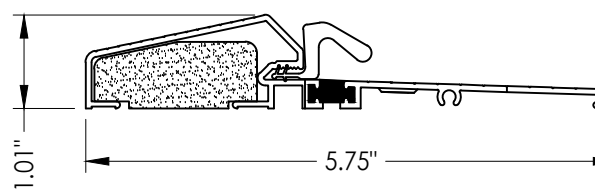
15 PUBLIC ACCESS THRESHOLD



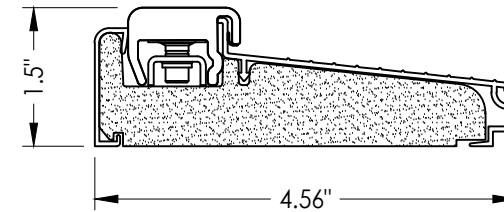
38 INSWING THRESHOLD
Inswing Composite Adjustable Sill



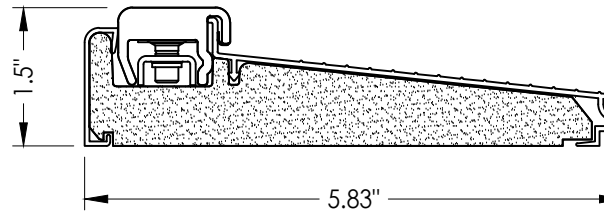
32 INSWING THRESHOLD
Inswing Composite Adjustable 7-3/4" Sill



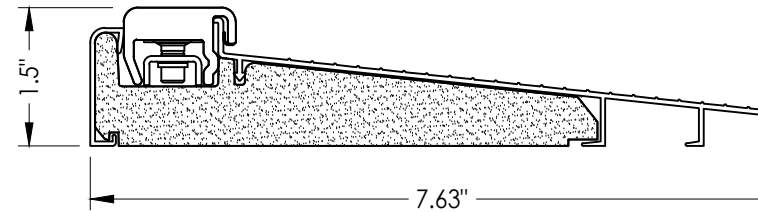
18 OUTSWING THRESHOLD
Composite / Aluminum Sill
(Thermal Break)



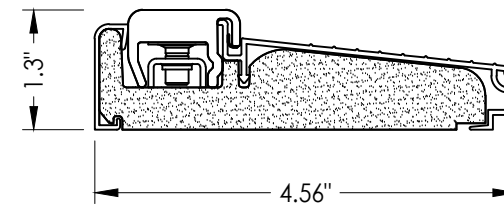
43 INSWING THRESHOLD
Inswing Composite Adjustable Sill
Book, Hybrid



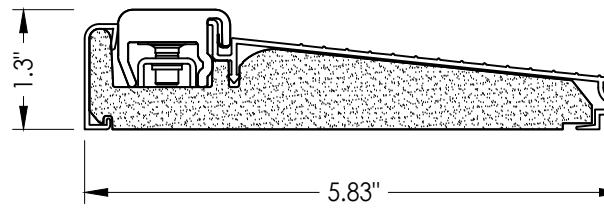
44 INSWING THRESHOLD
Inswing Composite Adjustable Sill
Book, Hybrid



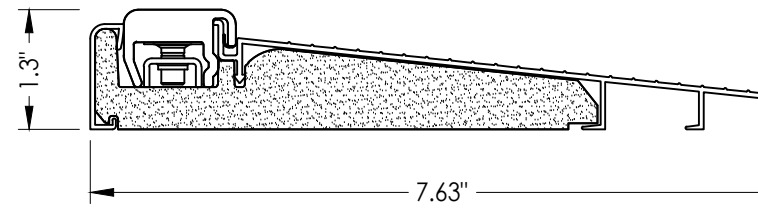
45 INSWING THRESHOLD
Inswing Composite Adjustable Sill
Book, Hybrid



46 INSWING THRESHOLD
Inswing Composite Adjustable Sill
U1



47 INSWING THRESHOLD
Inswing Composite Adjustable Sill
U1



48 INSWING THRESHOLD
Inswing Composite Adjustable Sill
U1

Documents Prepared By:
Lyndon F. Schmidt
P.E. No. 43409

R.W. BUILDING CONSULTANTS, INC.
P.O. Box 230, Vairico, FL 33595
Phone No.: 813.659.9197
FBPE Registry No. 9813

PRODUCT:
THERMA-TRU
FIBERGLASS DOOR

PART OR ASSEMBLY:
COMPONENTS

| NO | DATE | REVISIONS | BY |
|----|----------|-----------------------------|-----|
| 5 | 7/20/23 | UPDATE TO 8TH ED. (2023) | FBC |
| 4 | 7/14/20 | UPDATE TO 7th ED (2020) | FBC |
| 3 | 10/08/18 | REV. DOOR PANEL OPTION NOTE | MT |
| 2 | 11/15/17 | RECESSED PANEL NOTATION | JK |
| 1 | 7/17/17 | UPDATE TO 6th ED (2017) | FBC |

DATE: 08/02/16
SCALE: N.T.S.
DWG. BY: JK
CHK. BY: LFS
DRAWING NO.: FL-20468.7
SHEET 11 OF 12

Z:\2023 FBC Drawings\Therma-Tru\FL-20468 R6\FL-20468.7-9.dwg

| BILL OF MATERIALS | | | BILL OF MATERIALS | | |
|-------------------|--|-----------|-------------------|---|-----------|
| ITEM # | DESCRIPTION | MATERIAL | ITEM # | DESCRIPTION | MATERIAL |
| A | 1X BUCK (SG >= 0.42) | WOOD | 25 | #8 x 2-1/2" PFH WOOD SCREW | STEEL |
| B | 2X BUCK (SG >= 0.42) | WOOD | 26 | #8 x 5/8" PFH WOOD SCREW | STEEL |
| C | 1/4" MAX. SHIM SPACE | - | 27 | LATCH STRIKE PLATE | STEEL |
| D | 1/4" X 2-3/4" PFH DeWALT OR ITW CONCRETE SCREW | STEEL | 28 | DEADBOLT STRIKE PLATE (STANDARD) | STEEL |
| E | MASONRY - 3,000 PSI MIN. CONCRETE CONFORMING TO ACI 301 OR HOLLOW BLOCK CONFORMING TO ASTM C90 | CONCRETE | 28A | DEADBOLT SUB STRIKE PLATE | STEEL |
| | | | 28B | DEADBOLT STRIKE PLATE (SECURITY) | STEEL |
| G | 3/16" X 3-1/4" ITW CONCRETE SCREW | STEEL | 29 | 4" X 4" HINGE | STEEL |
| J | 1/4" X 3-3/4" PFH DeWALT OR ITW CONCRETE SCREW | STEEL | 30 | LATCH & DEADBOLT STRIKE PLATE (TONGUE SYSTEM) | ALUM/COMP |
| L | #10 X 2-1/2" PFH WOOD SCREW (1.15" MIN. EMBEDMENT) | STEEL | 31 | MULTIPOINT STRIKE PLATE (TONGUE SYSTEM) | ALUM/COMP |
| M | 3/16" X 2-1/4" ITW CONCRETE SCREW | STEEL | 32 | INSWING THRESHOLD | ALUM/COMP |
| N | 3/16" X 2-3/4" ITW CONCRETE SCREW | STEEL | 33 | INSWING THRESHOLD | ALUM/COMP |
| 1 | JAMB (FINGER JOINT PINE) | WOOD | 36 | INSWING THRESHOLD | ALUM/COMP |
| 6 | WEATHERSTRIP (MEDIUM REACH) | FOAM | 37 | INSWING THRESHOLD | ALUM/COMP |
| 7 | WEATHERSTRIP (LONG REACH) | FOAM | 38 | INSWING THRESHOLD | ALUM/COMP |
| 8 | SWEEP | VINYL | 39 | INSWING THRESHOLD | ALUM/COMP |
| 9 | SWEEP | VINYL | 40 | DOOR PANEL (BOOK) | - |
| 10 | SWEEP (USE w/ PUBLIC ACCESS THRESHOLD) | VINYL | 41 | DOOR PANEL (HYBRID) | - |
| 15 | PUBLIC ACCESS THRESHOLD | ALUM | 42 | DOOR PANEL (U1) | - |
| 16 | OUTSWING THRESHOLD | ALUM/COMP | 43 | INSWING THRESHOLD | ALUM/COMP |
| 17 | OUTSWING THRESHOLD | ALUM/COMP | 44 | INSWING THRESHOLD | ALUM/COMP |
| 18 | OUTSWING THRESHOLD | ALUM/COMP | 45 | INSWING THRESHOLD | ALUM/COMP |
| 22 | #8 x 3/4" PFH WOOD SCREW | STEEL | 46 | INSWING THRESHOLD | ALUM/COMP |
| 23 | #10 x 3/4" PFH WOOD SCREW | STEEL | 47 | INSWING THRESHOLD | ALUM/COMP |
| 24 | #10 x 1" PFH WOOD SCREW | STEEL | 48 | INSWING THRESHOLD | ALUM/COMP |

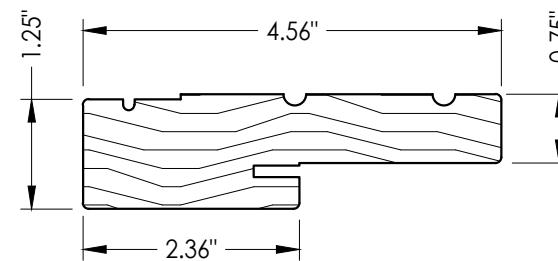
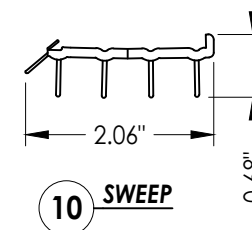
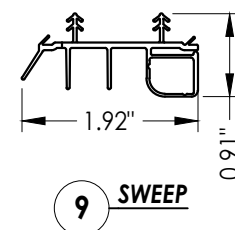
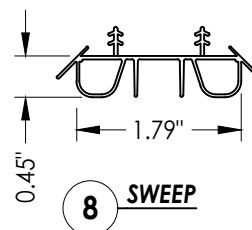
CONCRETE ANCHOR NOTES:

- Concrete anchor locations at the corners may be adjusted to maintain the min. edge distance to mortar joints.
- Concrete anchor locations noted as "MAX. ON CENTER" must be adjusted to maintain the min. edge distance to mortar joints, additional concrete anchors may be required to ensure the "MAX. ON CENTER" dimension are not exceeded.
- Concrete anchor table:

| ANCHOR TYPE | ANCHOR SIZE | MIN. EMBEDMENT | MIN. CLEARANCE TO MASONRY EDGE | MIN. CLEARANCE TO ADJACENT ANCHOR |
|------------------|-------------|----------------|--------------------------------|-----------------------------------|
| ITW TAPCON® | 1/4" | 1-1/4" | 2" | 4" |
| DeWALT ULTRACON® | 1/4" | 1-1/4" | 1" | 4" |
| ITW TAPCON® | 3/16" | 1-1/4" | AS SHOWN | 1-1/2" |

WOOD SCREW INSTALLATION NOTES:

- Maintain a minimum 5/8" edge distance, 1" end distance, & 1" o.c. spacing of wood screws to prevent the splitting of wood.



Documents Prepared By:
Lyndon F. Schmidt
P.E. No. 43409

R.W. BUILDING CONSULTANTS, INC.
P.O. Box 230, Valrico, FL 33595
Phone No.: 813.659.9197
FBPE Registry No. 9813

PRODUCT:
THERMA-TRU
FIBERGLASS DOOR

PART OR ASSEMBLY:
COMPONENTS &
BILL OF MATERIALS

| NO. | DATE | REVISIONS |
|-----|----------|------------------------------|
| 5 | 7/20/23 | UPDATE TO 8TH ED. (2023) FBC |
| 4 | 7/14/20 | UPDATE TO 7th ED (2020) FBC |
| 3 | 10/08/18 | REV. DOOR PANEL OPTION NOTE |
| 2 | 11/15/17 | RECESSED PANEL NOTATION |
| 1 | 7/17/17 | UPDATE TO 6th ED (2017) FBC |
| | | BY |

DATE: 08/02/16
SCALE: N.T.S.
DWG. BY: JK
CHK. BY: LFS
DRAWING NO.: FL-20468.7
SHEET 12 OF 12